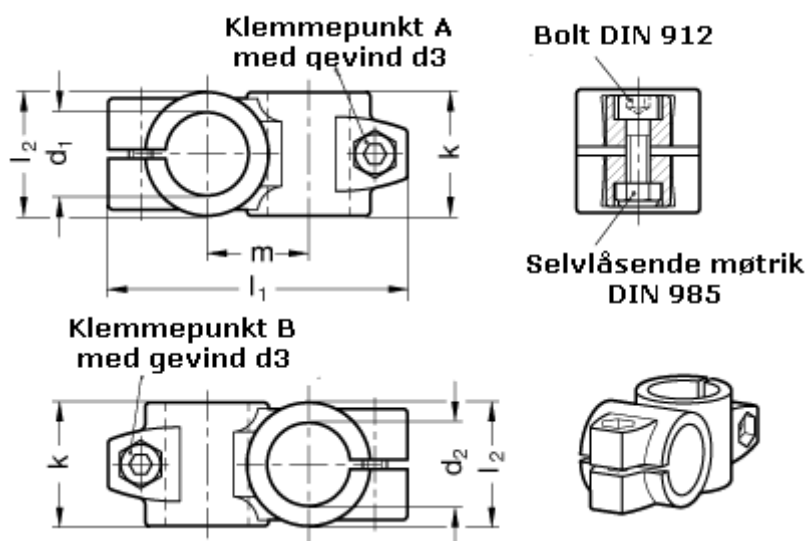


Article number: 20132B50B50802SW  
Description: E+G 2-way pipe clamp  
GN 132-B50-B50-80-2-SW

## Measures



Adjustable clamp lever = GN 911-M10-55 have to be ordred separately

d1	= 50
d2	= 50
d3	= M10
k	= 80
l1	= 169.0
l2	= 80
m	= 65